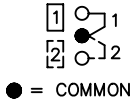
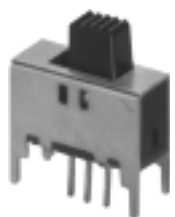
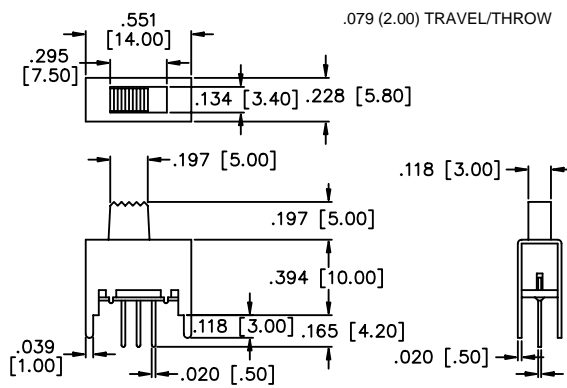
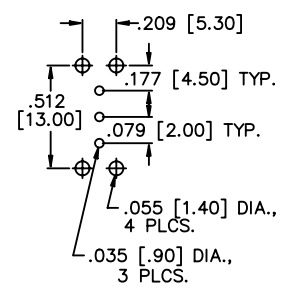

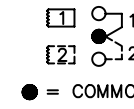
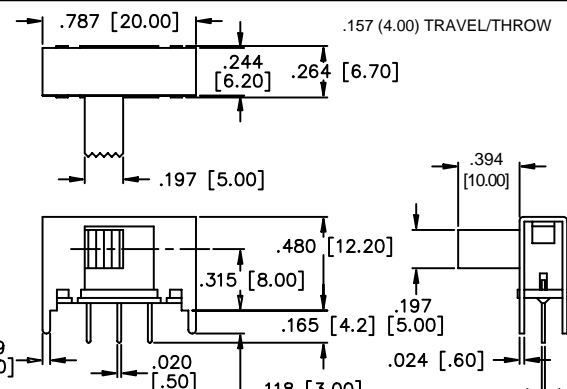
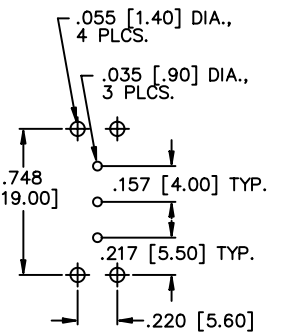


MSS Series

Standard Size Slide Switches

SPECIFICATIONS	FEATURES
<p>Contact ratings: Gold; 0.4 Volt-Amps (VA) max. at 20 V max. (AC or DC) Silver; 300 mA at 125 VAC or 30 VDC</p> <p>Initial contact resistance: 20 milliohms max.</p> <p>Insulation resistance: 100 megohms min. at 500 VDC</p> <p>Dielectric strength: 500 volts RMS at sea level</p> <p>Electrical life: 10,000 cycles min.</p> <p>Operating temperature range: -10°C to +60°C</p> <p>Solder heat resistance: 260°C max. for 3 seconds</p> <p>Solvent washing permissible</p>	<ul style="list-style-type: none"> ● Bifurcated wiping contact design. ● Epoxy sealed terminals. ● Wash-through open frame construction. ● Reinforcing mounting legs.
MATERIALS	
<p>Contacts & terminals: Gold or silver available (see contact ratings)</p> <p>Housing: Tin/lead plated steel</p> <p>Base: Phenolic laminated sheet</p>	<p>Actuator: Thermoplastic</p> <p>Terminal seal: Epoxy</p>

MODEL NO.	PLATING	
MSS12A	SILVER	<div style="text-align: center;"> <h3>1P2T</h3>  <p>● = COMMON</p> </div>
MSS12AG	GOLD	
 <p style="text-align: center;">VERTICAL ACTUATOR</p>		<div style="display: flex; justify-content: space-around;"> <div style="text-align: center;">  <p>MECHANICAL OUTLINE</p> </div> <div style="text-align: center;">  <p>P.C. BOARD LAYOUT</p> </div> </div>
 <p style="text-align: center;">RIGHT ANGLE ACTUATOR</p>		<div style="text-align: center;"> <h3>1P2T</h3>  <p>● = COMMON</p> </div>
 <p>MECHANICAL OUTLINE</p>		<div style="text-align: center;">  <p>P.C. BOARD LAYOUT</p> </div>

SPECIFICATIONS SUBJECT TO CHANGE WITHOUT NOTICE

MSS Series

Standard Size Slide Switches

SPECIFICATIONS SUBJECT TO CHANGE WITHOUT NOTICE

<table border="1" style="width: 100%; border-collapse: collapse;"> <thead> <tr> <th style="text-align: left;">MODEL NO.</th> <th style="text-align: left;">PLATING</th> </tr> </thead> <tbody> <tr> <td>MSS14</td> <td>SILVER</td> </tr> </tbody> </table>	MODEL NO.	PLATING	MSS14	SILVER	<p style="font-size: 1.2em; font-weight: bold;">1P4T</p> <p>● = COMMON</p>	<p>4-40 UNC-2B THD, 2 PLCS</p>						
MODEL NO.	PLATING											
MSS14	SILVER											
<p>VERTICAL ACTUATOR</p>	<p style="font-size: 1.2em; font-weight: bold;">2P2T</p> <p>● = COMMON</p>											
<table border="1" style="width: 100%; border-collapse: collapse;"> <thead> <tr> <th style="text-align: left;">MODEL NO.</th> <th style="text-align: left;">PLATING</th> </tr> </thead> <tbody> <tr> <td>MSS22</td> <td>SILVER</td> </tr> <tr> <td>MSS22G</td> <td>GOLD</td> </tr> </tbody> </table>	MODEL NO.	PLATING	MSS22	SILVER	MSS22G	GOLD	<p style="font-size: 1.2em; font-weight: bold;">2P2T</p> <p>● = COMMON</p>					
MODEL NO.	PLATING											
MSS22	SILVER											
MSS22G	GOLD											
<p>RIGHT ANGLE ACTUATOR</p>	<p style="font-size: 1.2em; font-weight: bold;">2P3T</p> <p>● = COMMON</p>											
<table border="1" style="width: 100%; border-collapse: collapse;"> <thead> <tr> <th style="text-align: left;">MODEL NO.</th> <th style="text-align: left;">PLATING</th> </tr> </thead> <tbody> <tr> <td>MSS225R</td> <td>SILVER</td> </tr> <tr> <td>MSS225RG</td> <td>GOLD</td> </tr> </tbody> </table>	MODEL NO.	PLATING	MSS225R	SILVER	MSS225RG	GOLD	<table border="1" style="width: 100%; border-collapse: collapse;"> <thead> <tr> <th style="text-align: left;">MODEL NO.</th> <th style="text-align: left;">PLATING</th> </tr> </thead> <tbody> <tr> <td>MSS23</td> <td>SILVER</td> </tr> </tbody> </table>	MODEL NO.	PLATING	MSS23	SILVER	<p>VERTICAL ACTUATOR</p>
MODEL NO.	PLATING											
MSS225R	SILVER											
MSS225RG	GOLD											
MODEL NO.	PLATING											
MSS23	SILVER											

MSS Series

Standard Size Slide Switches

<p>MODEL NO. PLATING</p> <p>MSS24AG GOLD</p>	<p>2P4T</p> <p>VERTICAL ACTUATOR</p>
<p>MODEL NO. PLATING</p> <p>MSS42 SILVER</p> <p>MSS42G GOLD</p>	<p>4P2T</p> <p>VERTICAL ACTUATOR</p>
<p>MODEL NO. PLATING</p> <p>MSS42R SILVER</p> <p>MSS42RG GOLD</p>	<p>4P2T</p> <p>RIGHT ANGLE ACTUATOR</p>
<p>MODEL NO. PLATING</p> <p>MSS43 SILVER</p>	<p>4P3T</p> <p>VERTICAL ACTUATOR</p>

SPECIFICATIONS SUBJECT TO CHANGE WITHOUT NOTICE